

**SINGER**  
**14U64A**

# PARTS LIST

# SINGER<sup>\*</sup>

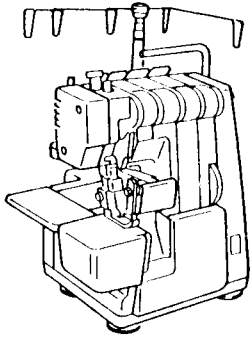
# 14U64A

From the library of: Diamond Needle Corp

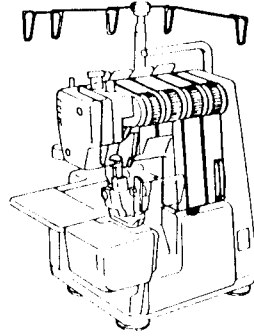
\* A Trademark of THE SINGER COMPANY  
Copyright © 1985 THE SINGER COMPANY  
All Rights Reserved Throughout World

INDEX

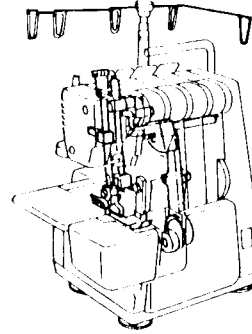
1



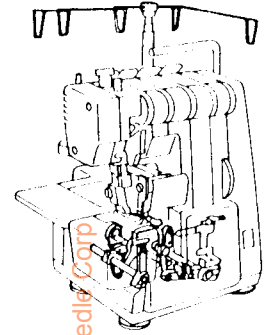
2



3

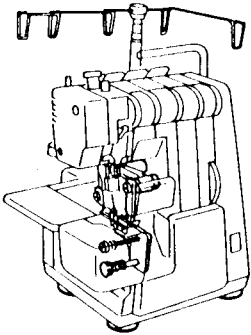


4

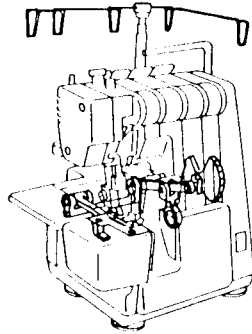


From the library of: Diamond Needle Corp

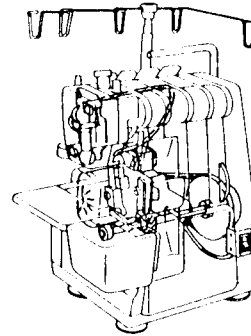
5



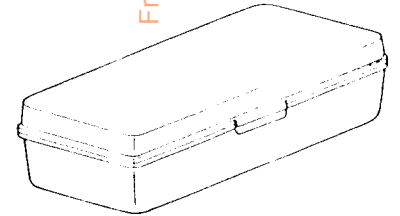
6

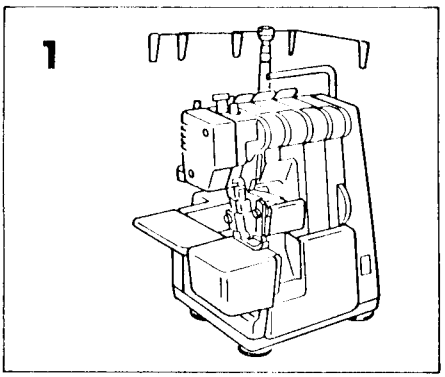
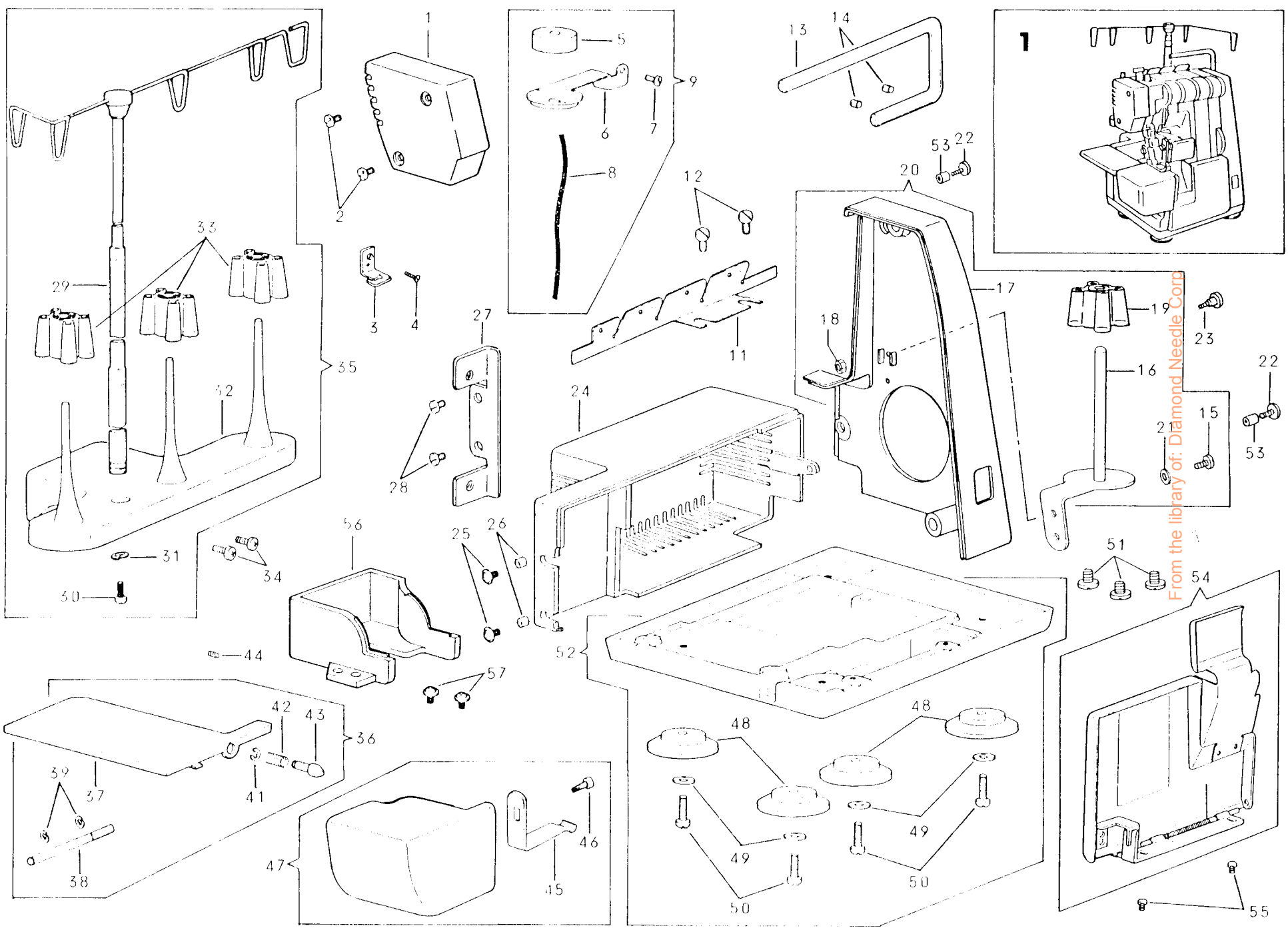


7



8

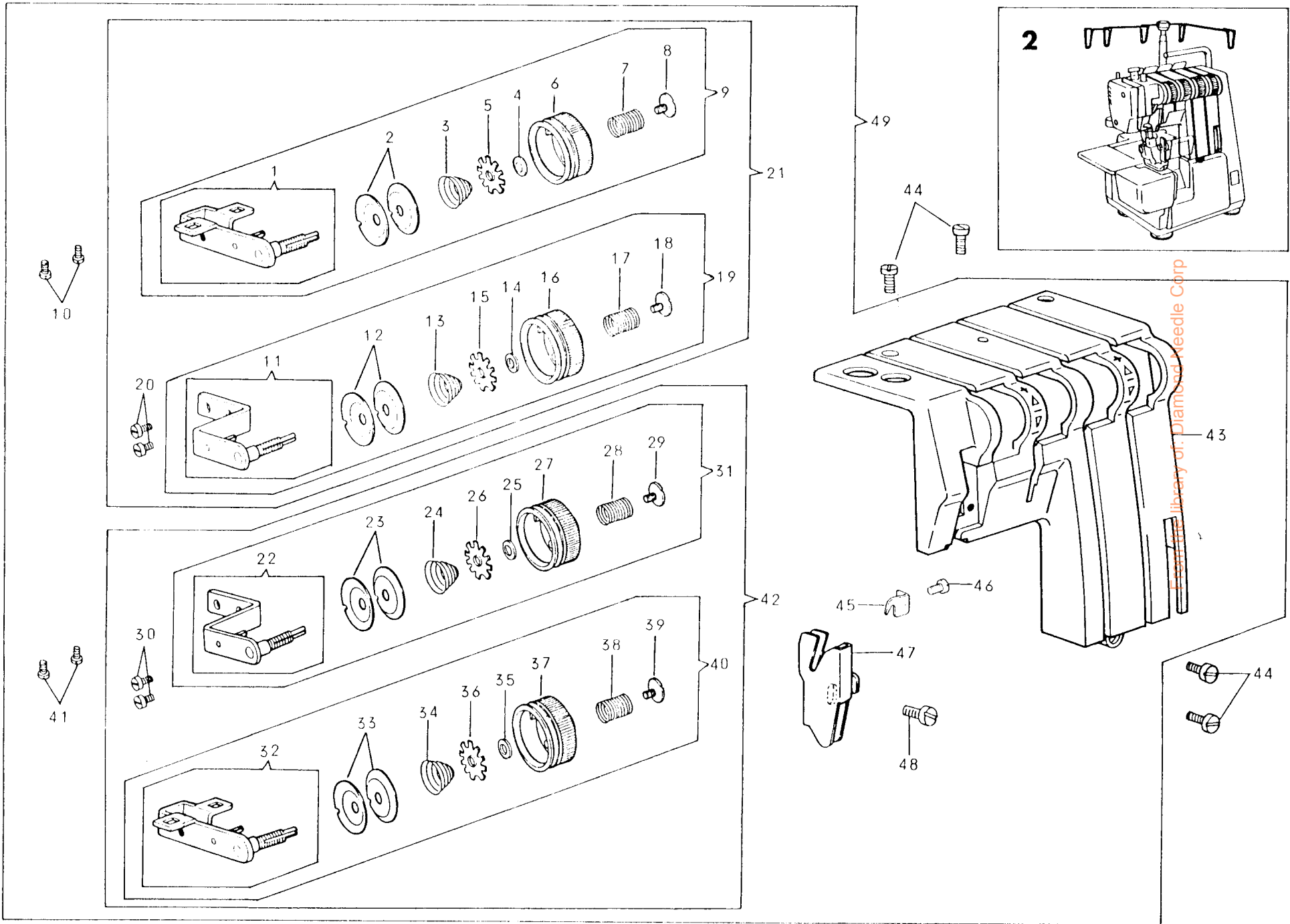




From the library of: Diamond Needle Corp

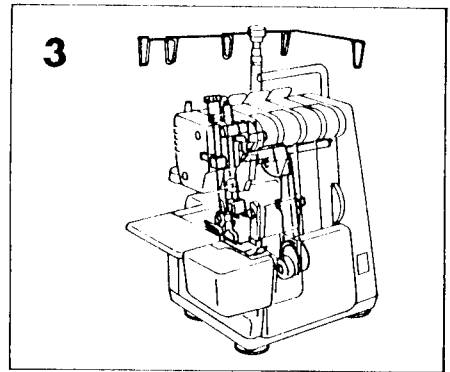
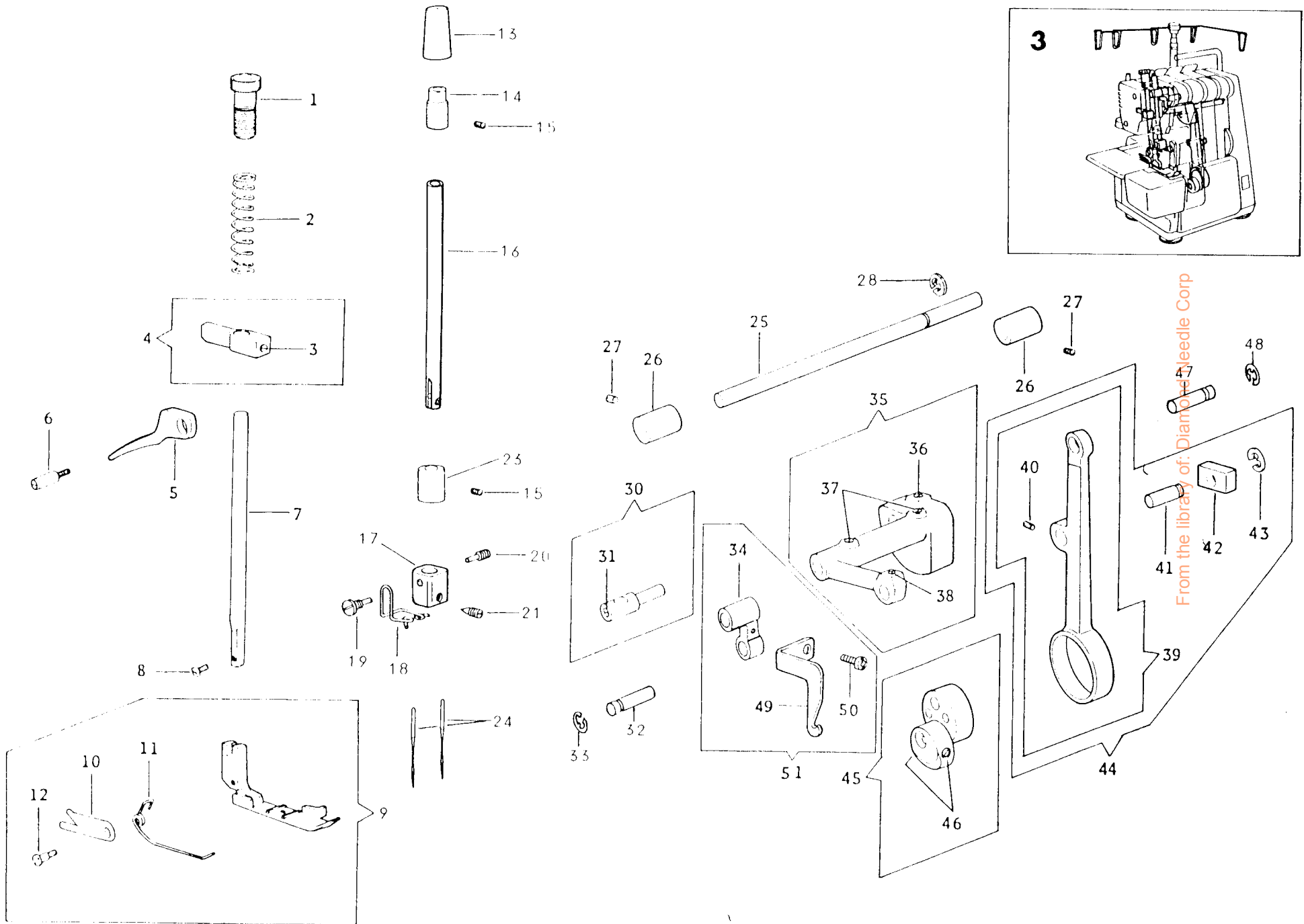
PART NO.		DESCRIPTION	PART NO.		DESCRIPTION
1	412735	Light Cover			
2	544212-072	Light Cover Screw (2)	15	544212-001	Looper Cover Screw (2)
3	412534	Needle Thread Guide	16	412730	Transformer Cover
4	544258	Needle Thread Guide Screw	17	544270-001	Transformer Cover Screw (1)
5	410205	Felt			
6	410204	Felt Support			
7	544039	Felt Support Set Screw			
8	543370	Oil Wick			
9	410203	Felt Support			
11	410209	Thread Guide Plate			
12	544212-001	Thread Guide Plate Set Screw (1)			
13	410202	Handle			
14	544204-005	Handle Set Screw (2)			
15	544212-073	Thread Rewinder (small) Screw			
16	412535	Thread Rewinder (small) Comp.			
17	412750	Bulley Cover			
18	541165-001	Thread Rewinder (small) Screw Nut			
19	543893	Spool Holder			
20	412766	Bulley Cover Comp.			
21	543803-053	Thread Rewinder (small) Screw Washer			
22	544270-001	Bulley Cover Screw (1)			
23	544271	Bulley Cover Screw Stud			
24	410248	Motor Cover			
25	544270-001	Motor Cover Screw (2)			
26	408792	Motor Cover Screw Spacer (1)			
27	410468	Motor Cover Mounting Plate			
28	544212-001	Motor Cover Mounting Plate Screw (1)			
29	412761	Thread Rewinder Thread Guide Bed Comp.			
30	544212-003	Thread Rewinder Thread Guide Bed Screw			
31	543805-003	Thread Rewinder Thread Guide Bed Screw Washer			
32	410389	Thread Rewinder Comp.			
33	546893	Spool Holder (3)			
34	544213-001	Thread Rewinder Comp. Screw (1)			
35	412767	Thread Rewinder Comp.			
36	412662	Convertible Bed Plate Comp.			
37	412663	Convertible Bed Plate Comp.			
38	410246	Convertible Bed Plate Stud			
39	546623	Convertible Bed Plate Stud Retaining Ring (1)			
41	546623	Convertible Bed Plate Latch Retaining Ring			
42	381877	Convertible Bed Plate Latch Spring			
43	381874-451	Convertible Bed Plate Latch			
44	544203-001	Convertible Bed Plate Stud Screw			
45	412682	Cylinder Cover Spring			
46	412697	Cylinder Cover Spring Clamping Comp.			
47	412706	Cylinder Cover Comp.			
48	410208	Machine Base Cushion (4)			
49	543803-004	Machine Base Cushion Screw Washer (4)			
50	544218-001	Machine Base Cushion Screw (1)			
51	544214-005	Machine Base Screw (1)			
52	410206	Machine Base			
53	408792	Bulley Cover Screw Spacer (1)			
54	412758-001	Looper Cover Comp.			

From the library of: Diamond Needle Corp



	PART NO.	DESCRIPTION	PART NO.	DESCRIPTION
1	412674	One Turn Tension Dial Bracket (right) Comp.		
2	410226	Tension Disc (2)		
3	412680	Tension Disc Spring		
4	412696	Washer		
5	412681	Tension Disc Spring Nut		
6	410229-452	Tension Dial Comp.		
7	410230	Tension Dial Presser Spring		
8	544265	Tension Dial Presser Spring Screw		
9	412672	One Turn Tension Dial Comp. (L) (right)		
10	412697	Tension Dial Comp. Screw (2)		
11	412675	One Turn Tension Dial Bracket (left) Comp.		
12	410226	Tension Disc (2)		
13	412679	Tension Disc Spring		
14	412696	Washer		
15	412681	Tension Disc Spring Nut		
16	410229-451	Tension Dial Comp.		
17	410230	Tension Dial Presser Spring		
18	544265	Tension Dial Presser Spring Screw		
19	412673	One Turn Tension Dial Comp. (L) (left)		
20	544212-001	Tension Dial Bracket (left) Set Screw (2)		
21	412670	One Turn Tension Dial Comp. (L)		
22	412675	One Turn Tension Dial Bracket (left) Comp.		
23	410226	Tension Disc (2)		
24	412720	Tension Disc Spring		
25	412696	Washer		
26	412681	Tension Disc Spring Nut		
27	410229-453	Tension Dial Comp.		
28	410230	Tension Dial Presser Spring		
29	544265	Tension Dial Presser Spring Screw		
30	544212-001	Tension Dial Bracket (left) Set Screw (2)		
31	412671	One Turn Tension Dial Comp. (N) (left)		
32	412674	One Turn Tension Dial Bracket (right) Comp.		
33	410226	Tension Disc (2)		
34	412720	Tension Disc Spring		
35	412696	Washer		
36	412681	Tension Disc Spring Nut		
37	410229-454	Tension Dial Comp.		
38	410230	Tension Dial Presser Spring		
39	544265	Tension Dial Presser Spring Screw		
40	412764	One Turn Tension Dial Comp. (N) (right) (for 2 needle)		
41	412697	Tension Dial Comp. Screw (2)		
42	412756	One Turn Tension Dial Comp. (N) (for 2 needle)		
43	412754-001	Front Cover (body) Comp. (for 2 needle)		
44	544212-073	Front Cover Screw (4)		
45	412531	Front Cover Thread Guide (small)		
46	412697	Front Cover Thread Guide (small) Screw		
47	412751	Front Cover Thread Guide (for 2 needle)		
48	412697	Front Cover Thread Guide Screw		
49	412753	Front Cover Comp. (for 2 needle)		

From the library of: Diamond Needle Corp

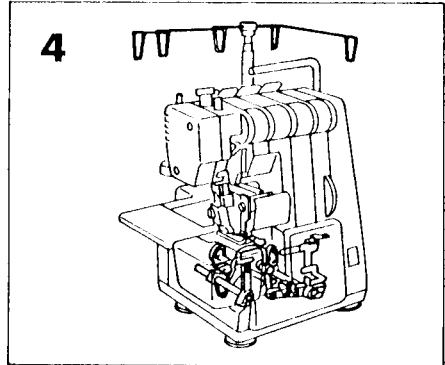
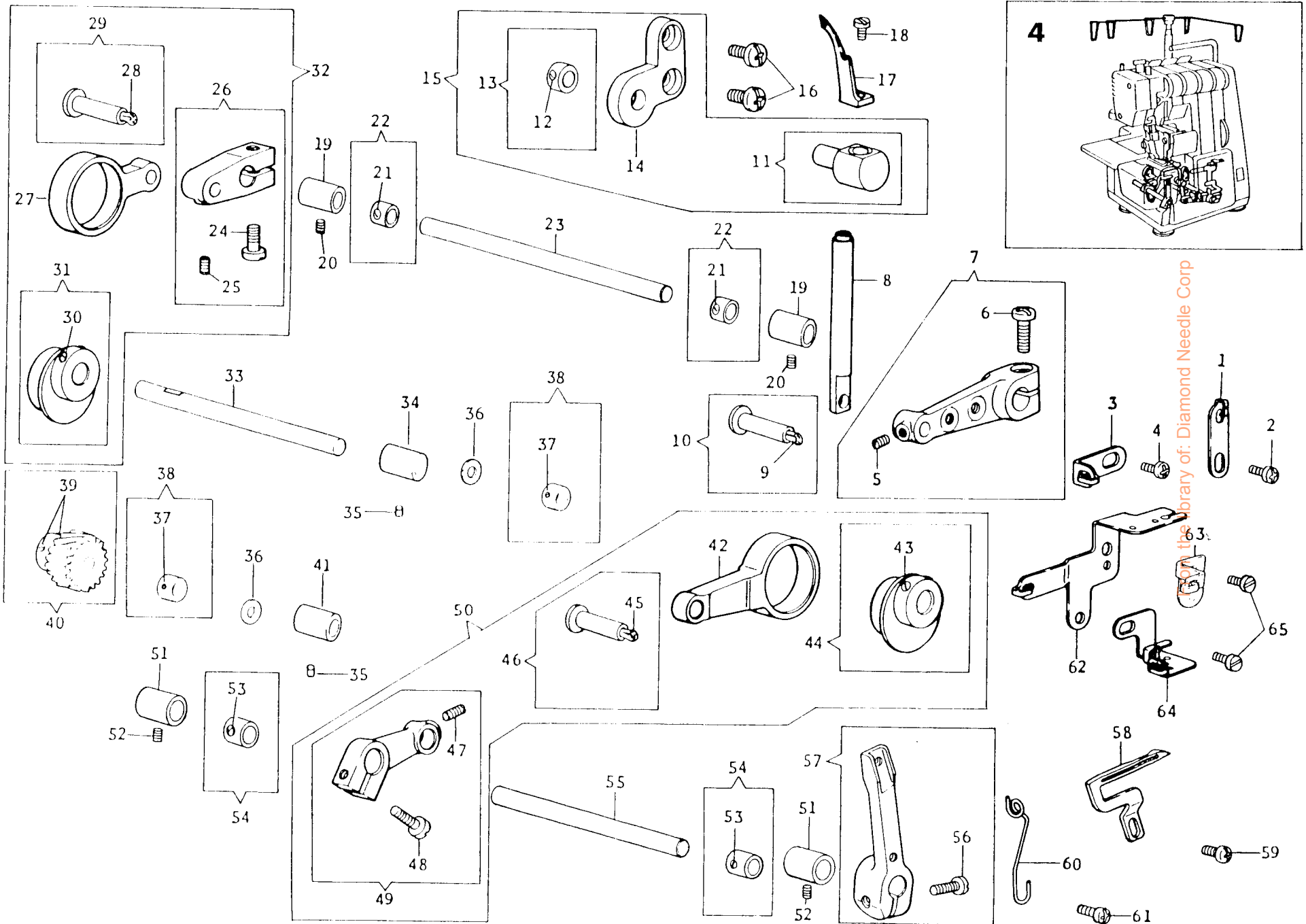


From the library of: Diamond Needle Corp



	PART NO.	DESCRIPTION		PART NO.	DESCRIPTION
1	544262	Presser Regulating Thum Screw			
2	410353	Presser Bar Spring			
3	544204-001	Presser Bar Guide Bracket Screw			
4	410352	Presser Bar Guide Bracket Comp.			
5	410354	Presser Bar Lifter			
6	544261	Presser Bar Lifter Screw Stud			
7	410351	Presser Bar			
8	504063-451	Presser Foot Screw			
9	412731	Presser Foot Comp.			
10	410349	Thread Cutter			
11	410348	Presser Foot Spring			
12	544264	Presser Foot Screw Stud			
13	410322	Needle Bar Bushing (upper) Cap			
14	410323	Needle Bar Bushing (upper)			
15	544204-001	Needle Bar Bushing Set Screw (2)			
16	412743	Needle Bar			
17	412744	Needle Clamp			
18	412745	Needle Bar Thread Guide			
19	374103	Needle Position Screw			
20	374102	Needle Clamp Screw			
21	374101	Needle Set Screw			
22	410324	Needle Bar Bushing (lower)			
23	N2020-42	Needle (15 X 1 #14) (2)			
24	412684	Arm Shaft			
25	410279	Arm Shaft Bushing (2)			
26	544204-001	Arm Shaft Bushing Set Screw (2)			
28	543801-007	Arm Shaft Retaining Ring			
30	410325	Needle Bar Connecting Stud			
31	544044	Needle Bar Connecting Stud Screw			
32	410340	Needle Bar Connecting Link Pin			
33	543801-006	Needle Bar Connecting Link Pin Retaining Ring			
34	410327	Needle Bar Connecting Link			
35	412707	Needle Bar Crank Comp.			
36	544203-001	Needle Bar Crank Rod Pin Screw			
37	544204-001	Needle Bar Crank Screw(2)			
38	544203-001	Needle Bar Connecting Link Pin			
39	410338	Needle Bar Crank Rod Comp.			
40	544203-001	Needle Bar Crank Rod Slide Block Pin Screw			
41	410340	Needle Bar Crank Rod Slide Block Pin			
42	511030	Needle Bar Crank Rod Slide Block			
43	543801-006	Needle Bar Crank Rod Slide Block Pin Retaining Ring			
44	410337	Needle Bar Crank Rod Comp.			
45	410329	Needle Bar Eccentric Cam Comp.			
46	544204-002	Needle Bar Eccentric Cam Set Screw (2)			
47	410340	Needle Bar Crank Rod Pin			
48	543801-006	Needle Bar Crank Rod Pin Retaining Ring			
49	410463	Needle Thread Take-up			
50	544211-051	Needle Thread Take-up Screw			
51	410451	Needle Bar Connecting Link Comp.			

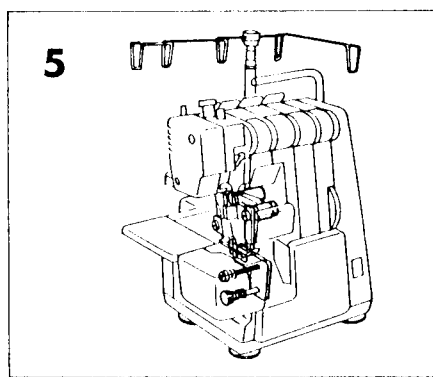
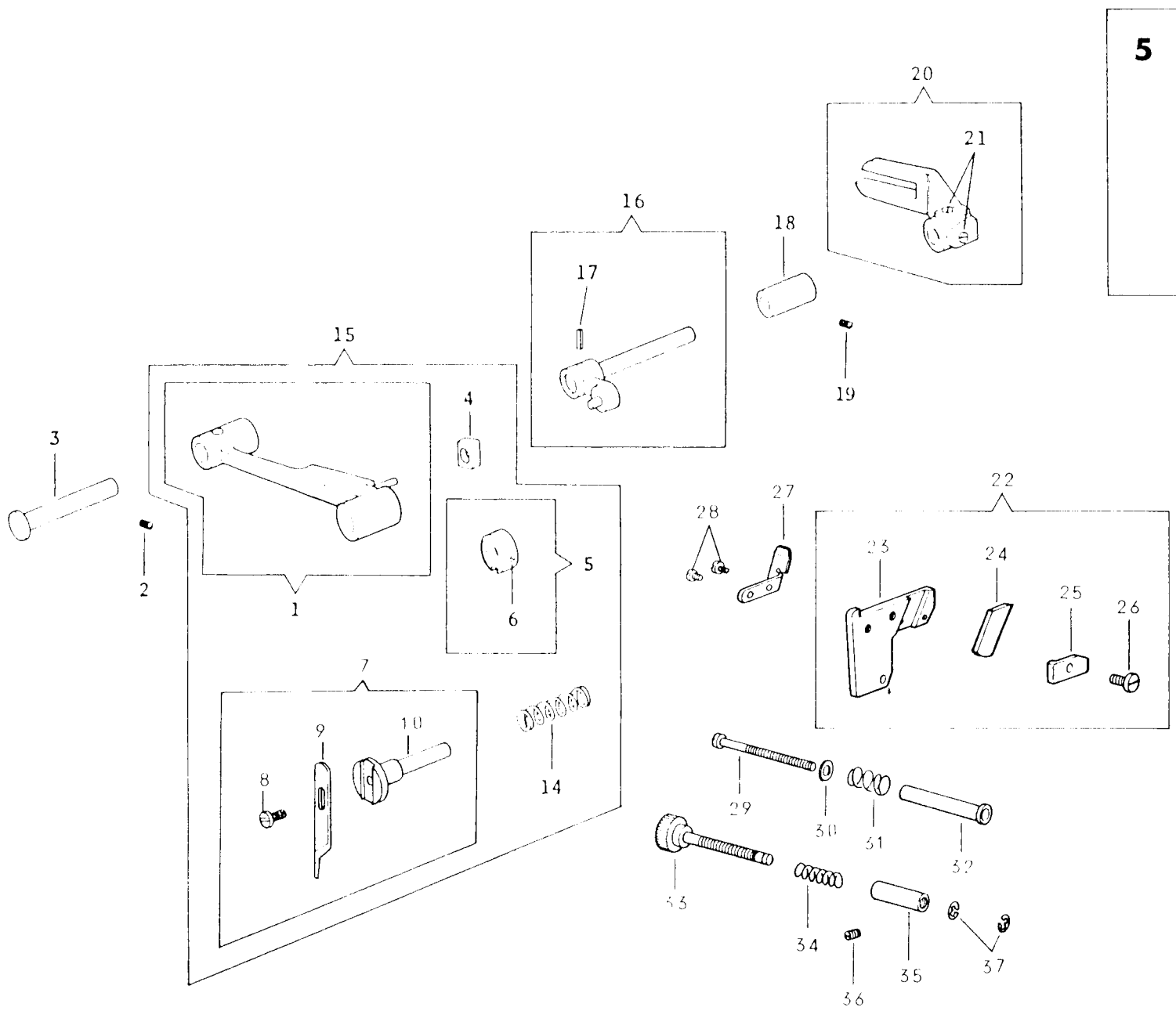
From the library of: Diamond Needle Corp



Copyright © 1975 by Diamond Needle Corp.

PART NO.	DESCRIPTION	PART NO.	DESCRIPTION
1 410455	Right Looper Thread Guide	57 544203-001	Left Looper Shaft Collar Screw (4)
2 544212-001	Right Looper Thread Guide Set Screw	58 410491	Left Looper Shaft Collar Comp. (2)
3 410438	Left Looper Thread Guide	59 410487	Left Looper Shaft
4 544212-001	Left Looper Thread Guide Set Screw	60 544213-053	Left Looper Holder Clamping Screw
5 544203-001	Right Looper Retainer Driving Lever Stud Set Screw	61 410453	Left Looper Holder Comp.
6 544213-053	Right Looper Retainer Driving Lever Clamping Screw	62 410452	Left Looper
7 410436	Right Looper Retainer Driving Lever Comp.	63 544211-050	Left Looper Screw
8 410435	Right Looper Retainer	64 410456	Left Looper Holder Thread Guide
9 410422	Right Looper Retainer Driving Lever Stud Oil Wick	65 544212-001	Left Looper Holder Thread Guide Screw
10 410449	Right Looper Retainer Driving Lever Stud Comp.	66 410472	Looper Thread Guide
11 410429	Right Looper Retainer Guide Comp.	67 410495	Looper Thread Guide (small)
12 544203-001	Right Looper Retainer Guide Collar Screw (2)	68 410478	Looper Thread Guide Plate
13 410432	Right Looper Retainer Guide Collar Comp.	69 544212-001	Looper Thread Guide Screw (2)
14 410428	Right Looper Retainer Guide Bracket		
15 410427	Right Looper Retainer Guide Bracket Comp.		
16 544213-002	Right Looper Retainer Guide Bracket Screw (2)		
17 410434	Right Looper		
18 544413	Right Looper Screw		
19 410279	Right Looper Shaft Bushing (2)		
20 544204-001	Right Looper Shaft Bushing Set Screw (2)		
21 544203-001	Right Looper Shaft Collar (4)		
22 410291	Right Looper Shaft Collar Comp. (2)		
23 410272	Right Looper Shaft		
24 544213-054	Right Looper Shaft Lever Screw		
25 544203-001	Right Looper Cam Rod Stud Set Screw		
26 410441	Right Looper Shaft Lever Comp.		
27 410440	Right Looper Cam Rod		
28 410422	Right Looper Cam Rod Stud Oil Wick		
29 410266	Right Looper Cam Rod Stud Comp.		
30 544204-001	Right Looper Cam Set Screw (2)		
31 410443	Right Looper Cam Comp.		
32 410439	Right Looper Cam Rod Comp.		
33 410290	Looper Driving Gear Shaft		
34 410280	Looper Driving Gear Shaft Bushing (short)		
35 544204-001	Looper Driving Gear Shaft Bushing Set Screw (2)		
36 542402	Looper Driving Gear Shaft Collar Thrust Washer (2)		
37 544203-001	Looper Driving Gear Shaft Collar Screw (4)		
38 410291	Looper Driving Gear Shaft Collar Comp. (2)		
39 544204-001	Looper Driving Gear Screw (2)		
40 410394	Looper Driving Gear Comp.		
41 412511	Looper Driving Gear Shaft Bushing		
42 410446	Left Looper Cam		
43 544204-001	Left Looper Cam Set Screw (2)		
44 410443	Left Looper Cam Comp.		
45 410422	Left Looper Cam Rod Stud Oil Wick		
46 410266	Left Looper Cam Rod Stud Comp.		
47 544203-001	Left Looper Cam Rod Stud Set Screw		
48 544213-054	Left Looper Shaft Lever Clamping Screw		
49 410447	Left Looper Shaft Lever Comp.		
50 410445	Left Looper Cam Rod Comp.		
51 410279	Left Looper Shaft Bushing (2)		
52 544204-001	Left Looper Shaft Bushing Set Screw (2)		

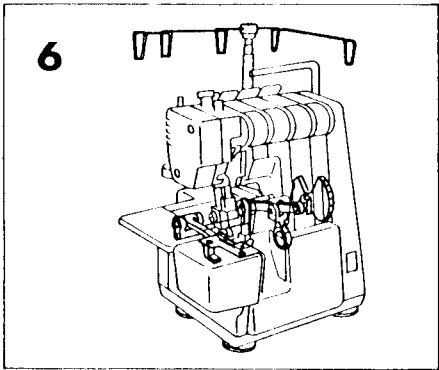
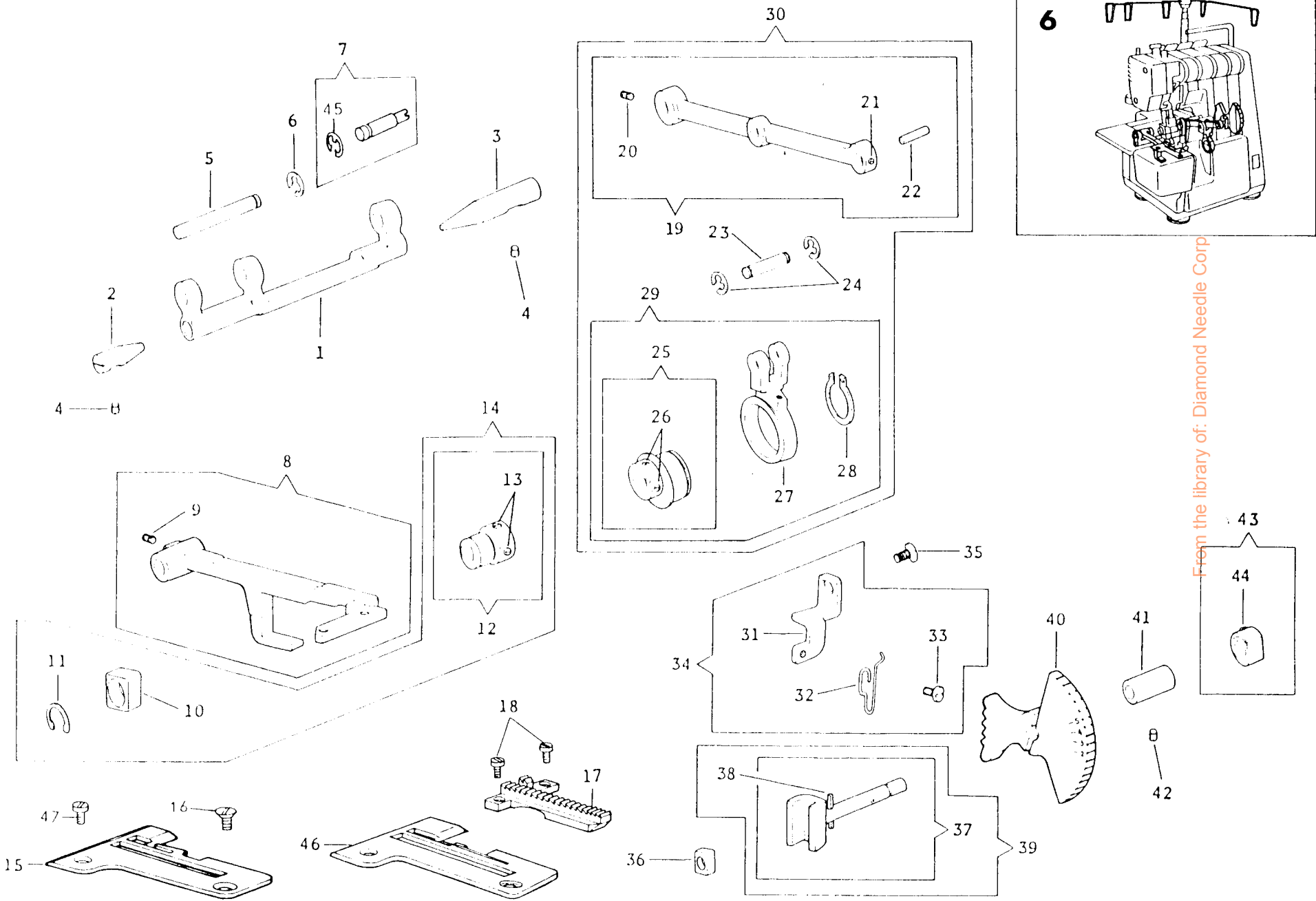
From the library of: Diamond Needle Corp



From the library of: Diamond Needle Corp

	PART NO.	DESCRIPTION	PART NO.	DESCRIPTION
1	410229	Knife (movable) Lever Comp.		
2	544204-001	Knife (movable) Lever Hinge Stud Screw		
3	410310	Knife (movable) Lever Hinge Stud		
4	540254	Knife (movable) Lever Slide Block		
5	410308	Knife (movable) Holder Collar Comp.		
6	544203-001	Knife (movable) Holder Collar Set Screw		
7	412584	Knife (movable) Comp.		
8	544407	Knife (movable) Screw		
9	412585	Knife (movable)		
10	412586	Knife (movable) Holder		
14	410307	Knife (movable) Holder Spring		
15	410298	Knife (movable) Lever Comp.		
16	410312-012	Knife (movable) Lever Driving Arm Comp.		
17	543802-002	Knife (movable) Lever Driving Arm Spring Pin		
18	410316	Knife (movable) Forked Lever Stud Bushing		
19	544204-001	Knife (movable) Forked Lever Stud Bushing Set Screw		
20	410317	Knife (movable) Forked Lever (comp.)		
21	544204-001	Knife (movable) Forked Lever Screw (?)		
22	412768	Knife (stationary) Comp.		
24	412738	Knife (stationary) Holder		
24	412742	Knife (stationary)		
24	410298	Knife (stationary) Clamping Plate		
26	544258	Knife (stationary) Clamping Plate Screw		
27	412743	Needle Guard		
28	545186	Needle Guard Set Screw (?)		
29	374104	Knife Holder Stud Screw		
30	541217	Knife Holder Stud Washer		
31	412774	Knife Holder Stud Spring		
32	412773	Knife Holder Stud		
33	412740	Knife Holder Adjust Screw		
34	381877	Knife Holder Adjust Screw Spring		
35	412741	Knife Holder Adjust Bushing		
36	544207-002	Knife Holder Adjust Pushing Set Screw		
37	54741	Retaining Ring (?)		

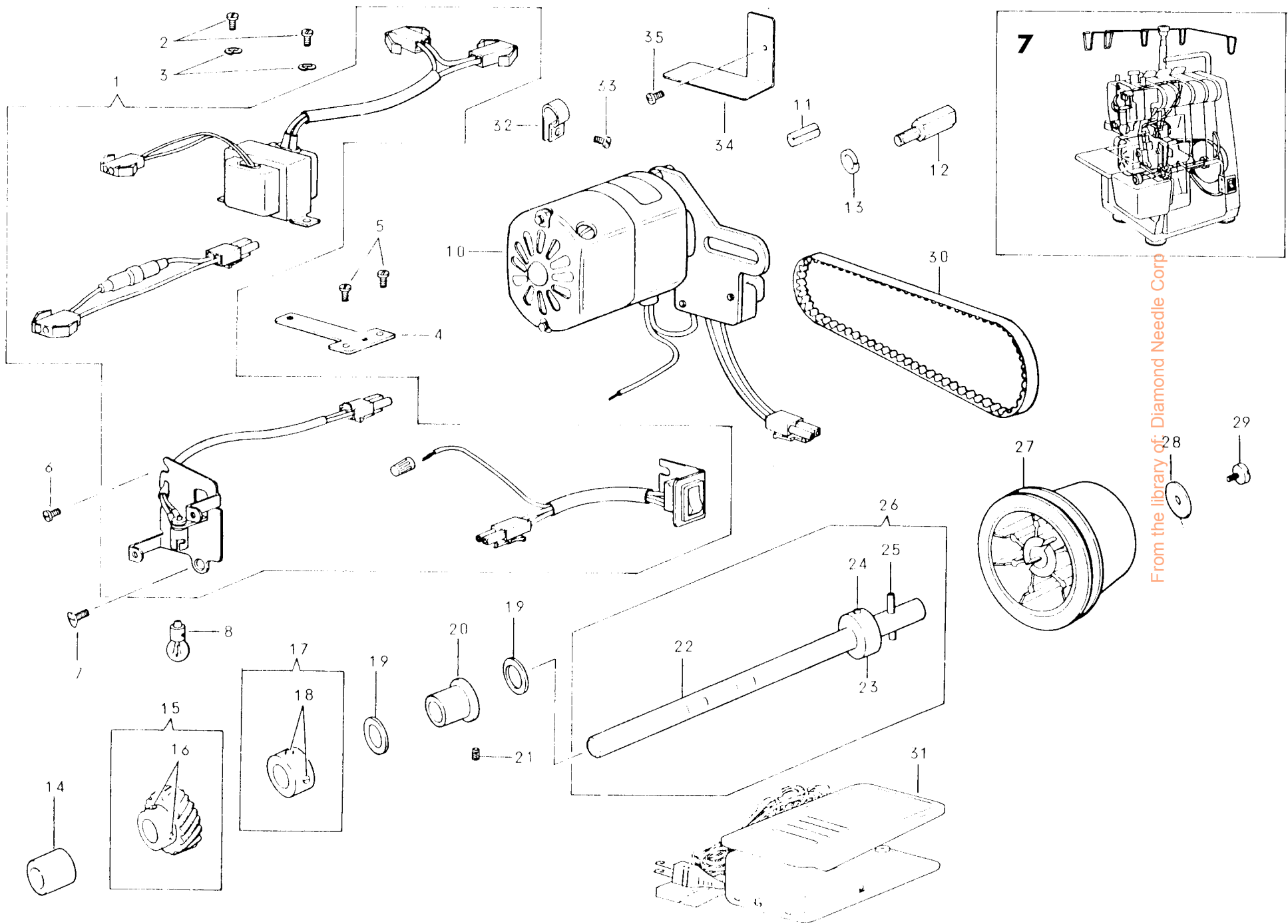
From the library of: Diamond Needle Corp



From the library of: Diamond Needle Corp

	PART NO.	DESCRIPTION	PART NO.	DESCRIPTION
1	410378	Feed Crank		
2	410380	Feed Crank Pin Center (small)		
3	410379	Feed Crank Pin Center (large)		
4	544204-001	Feed Crank Pin Center Screw (2)		
5	410381	Feed Crank Pin		
6	543801-006	Feed Crank Pin Retaining Ring		
7	410382	Feed Crank Eccentric Pin Comp.		
8	410399	Feed Bar Comp.		
9	544204-001	Feed Crank Pin Screw		
10	410387	Feed Lifting Cam Slide Block		
11	543818-010	Feed Lifting Cam Slide Block Retaining Ring		
12	410385	Feed Lifting Cam Comp.		
13	544204-001	Feed Lifting Cam Set Screw (2)		
14	410384	Feed Lifting Cam Comp.		
15	412730	Throat Plate		
16	504050-851	Throat Plate Screw		
17	412729	Feed Dog		
18	544103	Feed Dog Screw (2)		
19	410364	Feed Regulator Crank Rod Comp.		
20	544204-001	Feed Crank Eccentric Pin Screw		
21	544203-001	Feed Regulator Slide Block Stud Screw		
22	410373	Feed Regulator Slide Block Stud		
23	410363	Feed Crank Rod Pin		
24	543801-006	Feed Crank Rod Pin Retaining Ring		
25	410360	Feed Cam Comp.		
26	544203-001	Feed Cam Screw (2)		
27	410362	Feed Crank Rod		
28	543802-014	Feed Cam Retaining Ring		
29	410359	Feed Cam Comp.		
30	410393	Feed Regulator Crank Rod Comp.		
31	410376	Feed Regulator Dial Spring Bracket		
32	410377	Feed Regulator Dial Spring		
33	544212-001	Feed Regulator Dial Spring Screw		
34	410375	Feed Regulator Dial Spring Bracket Comp.		
35	544213-001	Feed Regulator Dial Spring Bracket Screw		
36	540254	Feed Regulator Slide Block		
37	410367	Feed Regulator Comp.		
38	543807-005	Feed Regulator Stud Pin		
39	410366	Feed Regulator Comp.		
40	412615-001	Feed Regulator Dial		
41	410370	Feed Regulator Stud Bushing		
42	544204-001	Feed Regulator Stud Bushing Set Screw		
43	410409	Feed Regulator Stud Collar Comp.		
44	504007	Feed Regulator Stud Collar Screw		
45	543801-007	Feed Crank Eccentric Pin Retaining Ring		
46	412689	Throat Plate Comp. for Rolled Hem		
47	412694	Throat Plate Position Screw		

From the library of: Diamond Needle Corp

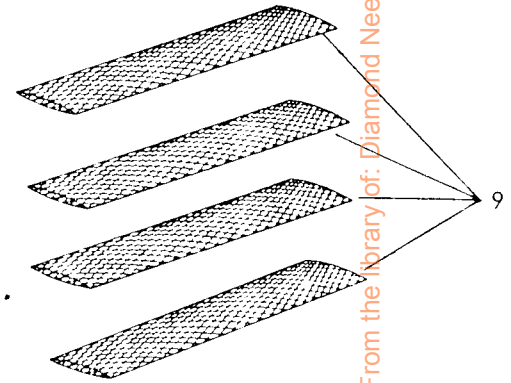
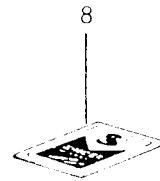
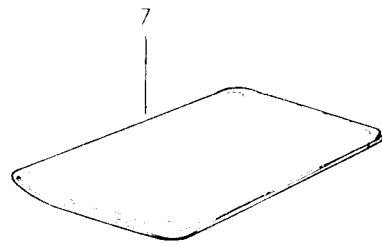
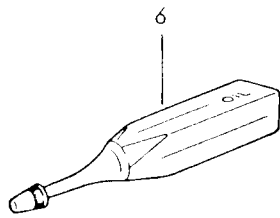
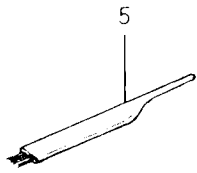
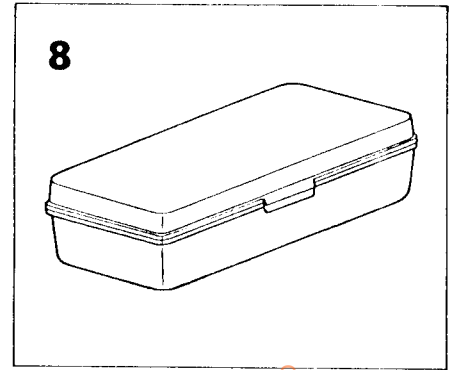
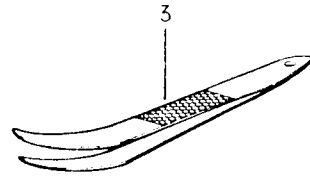
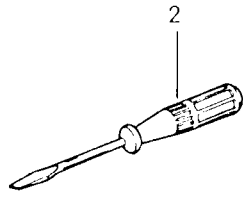
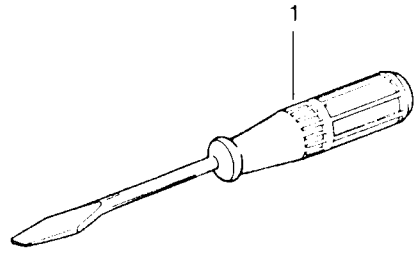


From the library of: Diamond Needle Corp

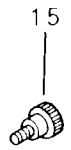
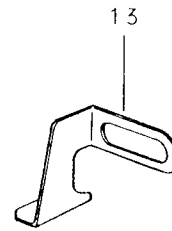
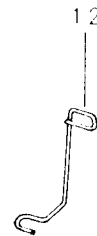
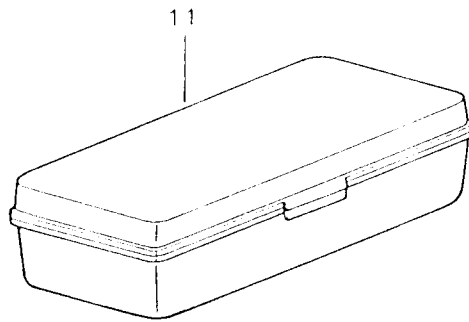
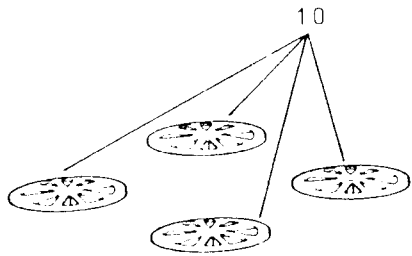


	PART NO.	DESCRIPTION		PART NO.	DESCRIPTION
1	419087	Switch,Transformer,Lamp Holder Comp.			
2	549324	Transformer Screw (2)			
3	543805-002	Transformer Spring Washer (2)			
4	412752	Transformer Bracket			
5	544212-001	Transformer Bracket Screw (2)			
6	544212-001	Lamp Holder Bracket Screw			
7	544088	Lamp Holder Bracket Screw			
8	419088	Lamp			
10	419057-002	Motor Comp. (for HL)			
10	419114-002	Motor Comp. (for HL/CHA)			
11	543811-001	Motor Bracket Guide Fin			
12	544259	Motor Bracket Clamping Screw			
13	543805-005	Motor Bracket Clamping Screw Washer			
14	410252	Rotating Shaft Bushing (Left)			
15	410260	Rotating Shaft Gear			
16	544204-001	Rotating Shaft Gear Nut Screw (2)			
17	410470	Rotating Shaft Collar Comp.			
18	544204-001	Rotating Shaft Collar Nut Screw (2)			
19	408730	Rotating Shaft Thrust Washer (2)			
20	410253	Rotating Shaft Bushing (right)			
21	544204-001	Rotating Shaft Bushing (right) Nut Screw			
22	410257	Rotating Shaft			
23	410469	Rotating Shaft Collar (Fixed)			
24	543808-004	Rotating Shaft Collar Positioning Fin			
25	543809-004	Rotating Shaft Spring Fin			
26	410256	Rotating Shaft Comp.			
27	410268-001	Pulley			
28	410400	Pulley Nut Screw Washer			
29	544274	Pulley Set Screw			
30	412721	Motor Bell			
31	419058	Controller Comp. (for HL)			
31	419115-001	Controller Comp. (for HL/CHA)			
32	542766-001	Cord Holder			
33	544212-001	Cord Holder Screw			
34	412737	Cord Clamping Plate			
35	544212-001	Cord Clamping Plate Screw			

From the library of: Diamond Needle Corp



From the library of: Diamond Needle Corp



	PART NO.	DESCRIPTION	PART NO.	DESCRIPTION
1	541513	Driver (medium)		
2	541514	Driver (small)		
3	543162	Tweezers		
4	412749	Knife (stationary)		
5	546358	Brush		
6	541574	Oiler		
7	543158	Machine Cover		
8	N2020-42	Needle (15 X 1 #11) (2)		
8	N2020-42	Needle (15 X 1 #14) (3)		
9	543131	Thread Unwinder Spool Net (4)		
10	546894	Thread Unwinder Spool Cap (4)		
11	543150-002	Accessory Box		
12	412762	Tape Guide		
13	412764	Edge Guide		
14	543803-003	Edge Guide Washer		
15	374105	Edge Guide Screw		

From the library of: Diamond Needle Corp